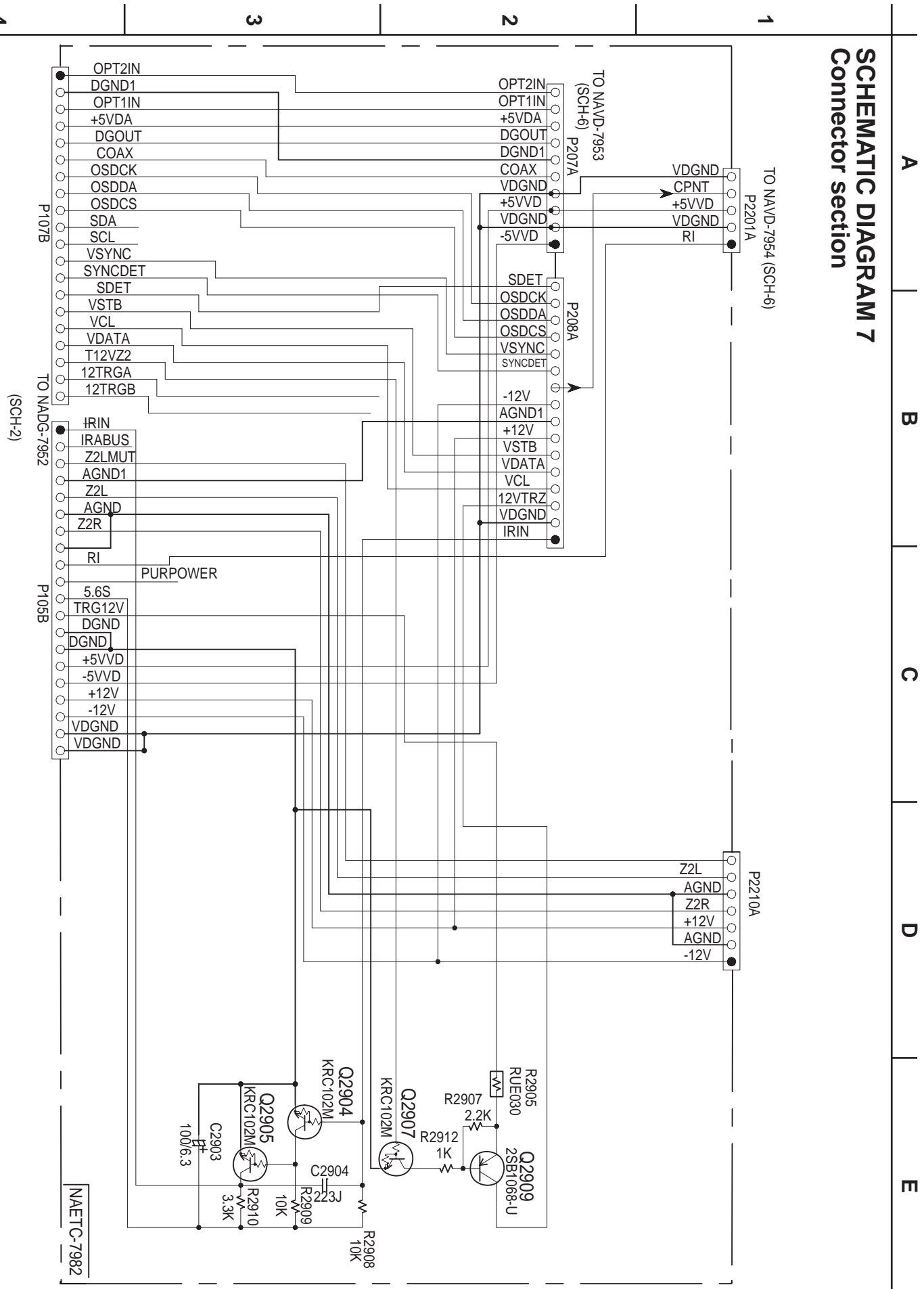
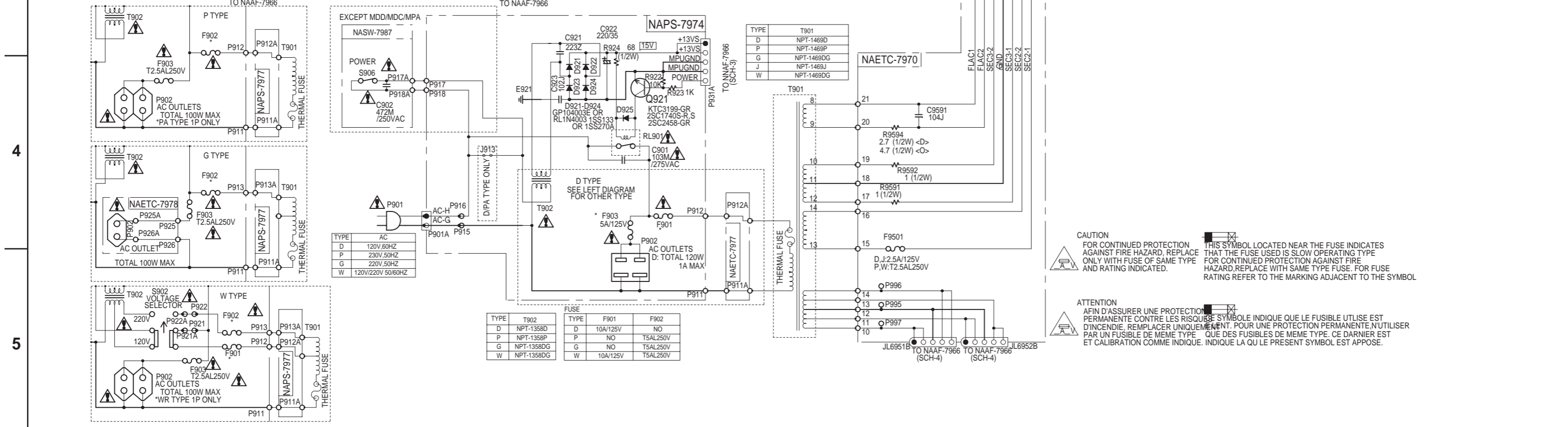
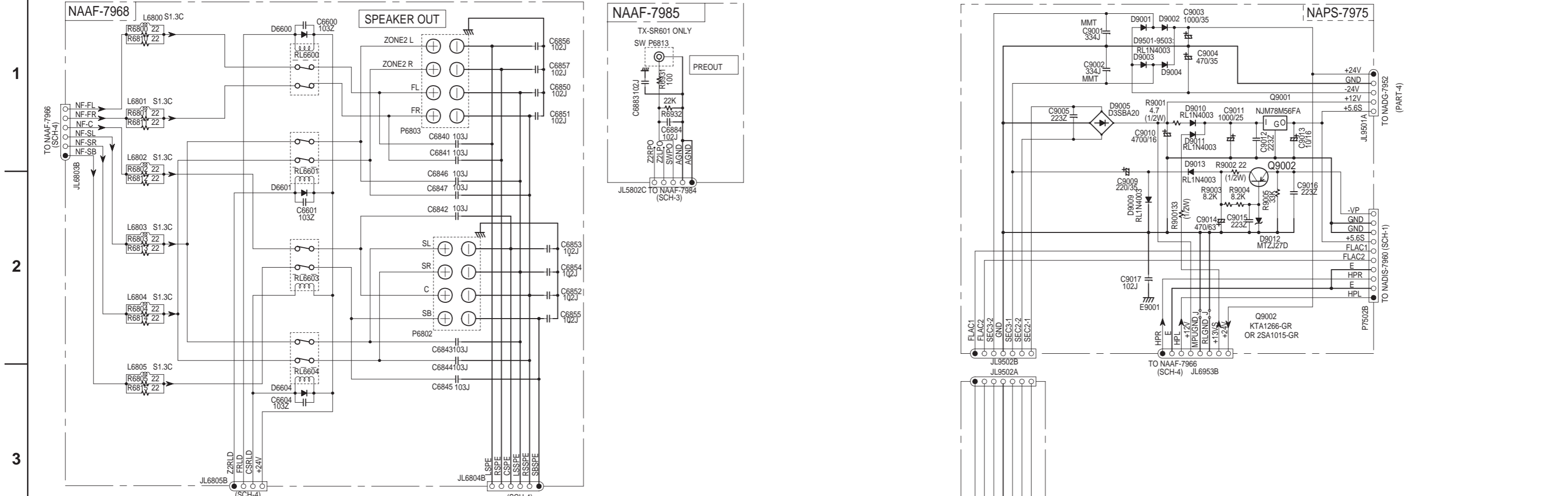


# SCHEMATIC DIAGRAM 7

## Connector section



**SCHEMATIC DIAGRAM 5 Power supply and speaker terminal sections**



TYPE	AC
D	120V, 60HZ
P	230V, 50HZ
G	220V, 50HZ
W	120V/220V 50/60HZ

TYPE	T902	FUSE	F901	F902
D	NPT-1358D	P	10A/125V	NO
P	NPT-1358P	D	NO	T5AL250V
G	NPT-1358DG	G	NO	T5AL250V
W	NPT-1358DG	W	10A/125V	T5AL250V

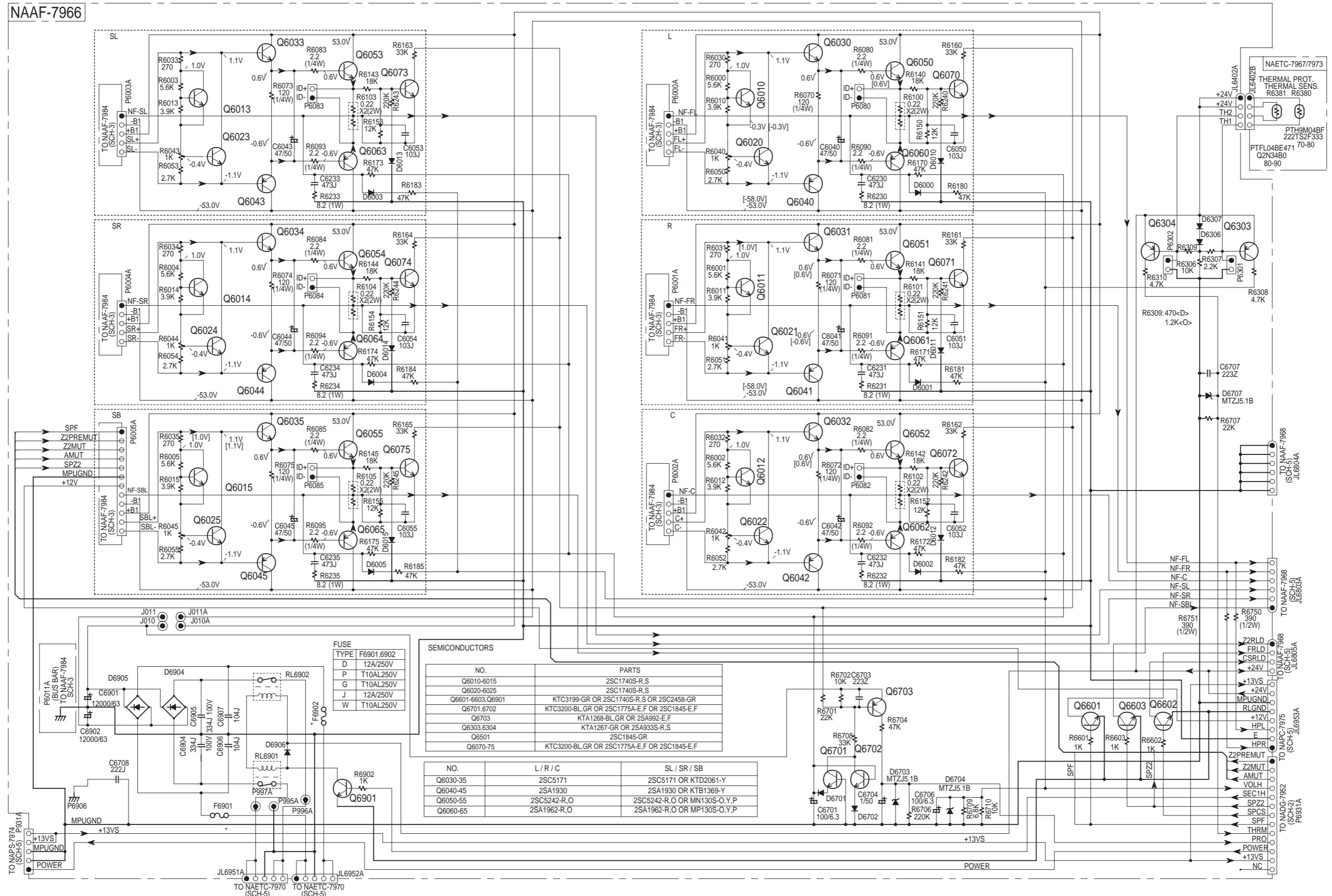
**CAUTION**  
FOR CONTINUED PROTECTION AGAINST FIRE HAZARD, REPLACE ONLY WITH FUSE OF SAME TYPE AND RATING INDICATED.

THIS SYMBOL LOCATED NEAR THE FUSE INDICATES THAT THE FUSE USED IS SLOW OPERATING TYPE FOR CONTINUED PROTECTION AGAINST FIRE HAZARD. REPLACE WITH SAME TYPE FUSE. FOR FUSE RATING REFER TO THE MARKING ADJACENT TO THE SYMBOL.

**ATTENTION**  
AFIN D'ASSURER UNE PROTECTION PERMANENTE CONTRE LES RISQUES D'INCENDIE, REMPLACER UNIQUEMENT PAR UN FUSIBLE DE MEME TYPE. CE DERNIER EST ET CALIBRATION COMME INDIQUE. INDIQUE LA QU LE PRESENT SYMBOLE EST APPOSE.

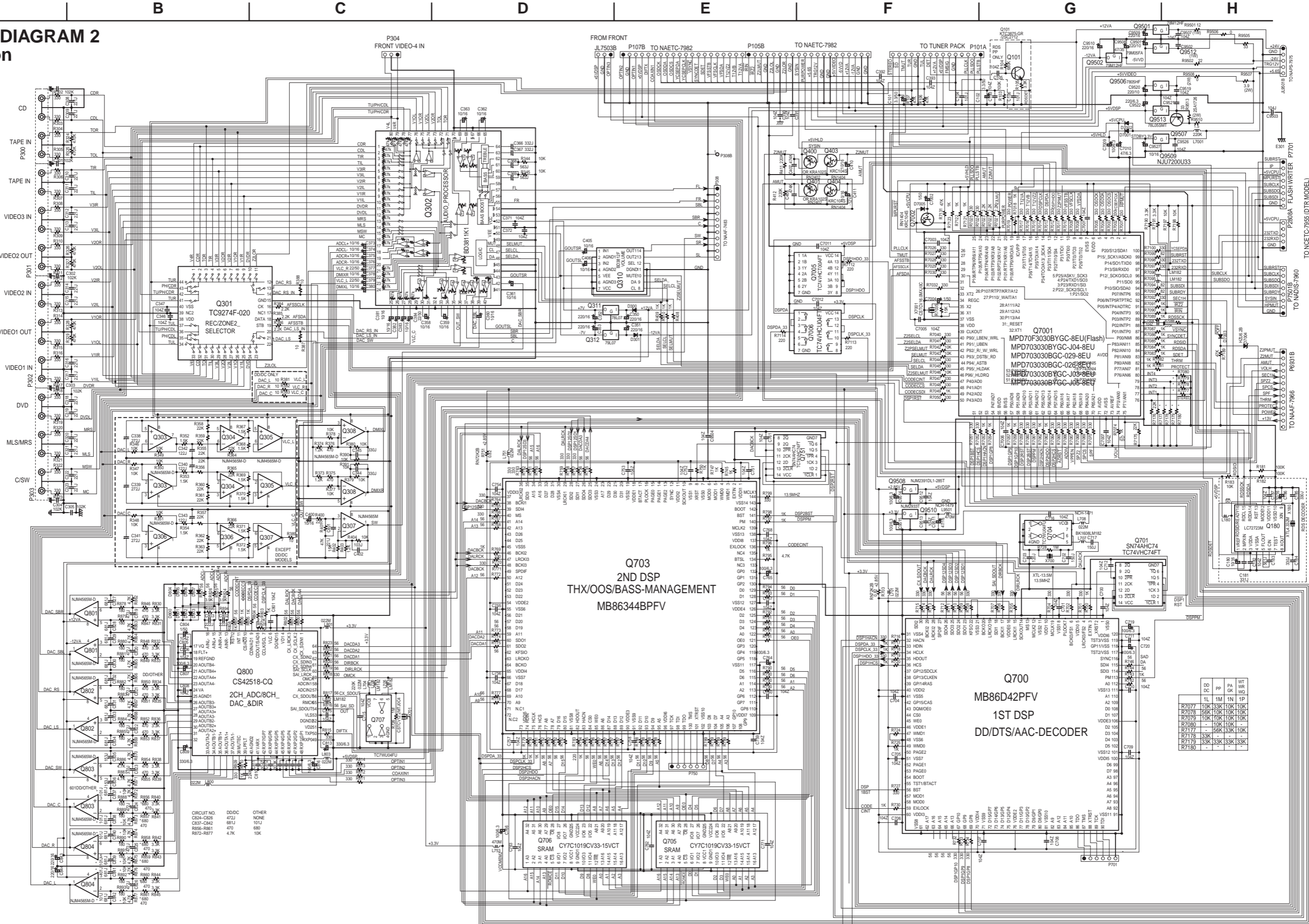
CE SYMBOLE INDIQUE QUE LE FUSIBLE UTILISE EST D'UN TYPE A ACTION LENTE POUR UNE PROTECTION PERMANENTE CONTRE LES RISQUES D'INCENDIE. REMPLACER PAR UN FUSIBLE DE MEME TYPE. CE DERNIER EST CALIBRE ET CALIBRATION COMME INDIQUE. INDIQUE LA QU LE PRESENT SYMBOLE EST APPOSE.

SCHEMATIC DIAGRAM 4 Power amplifier section



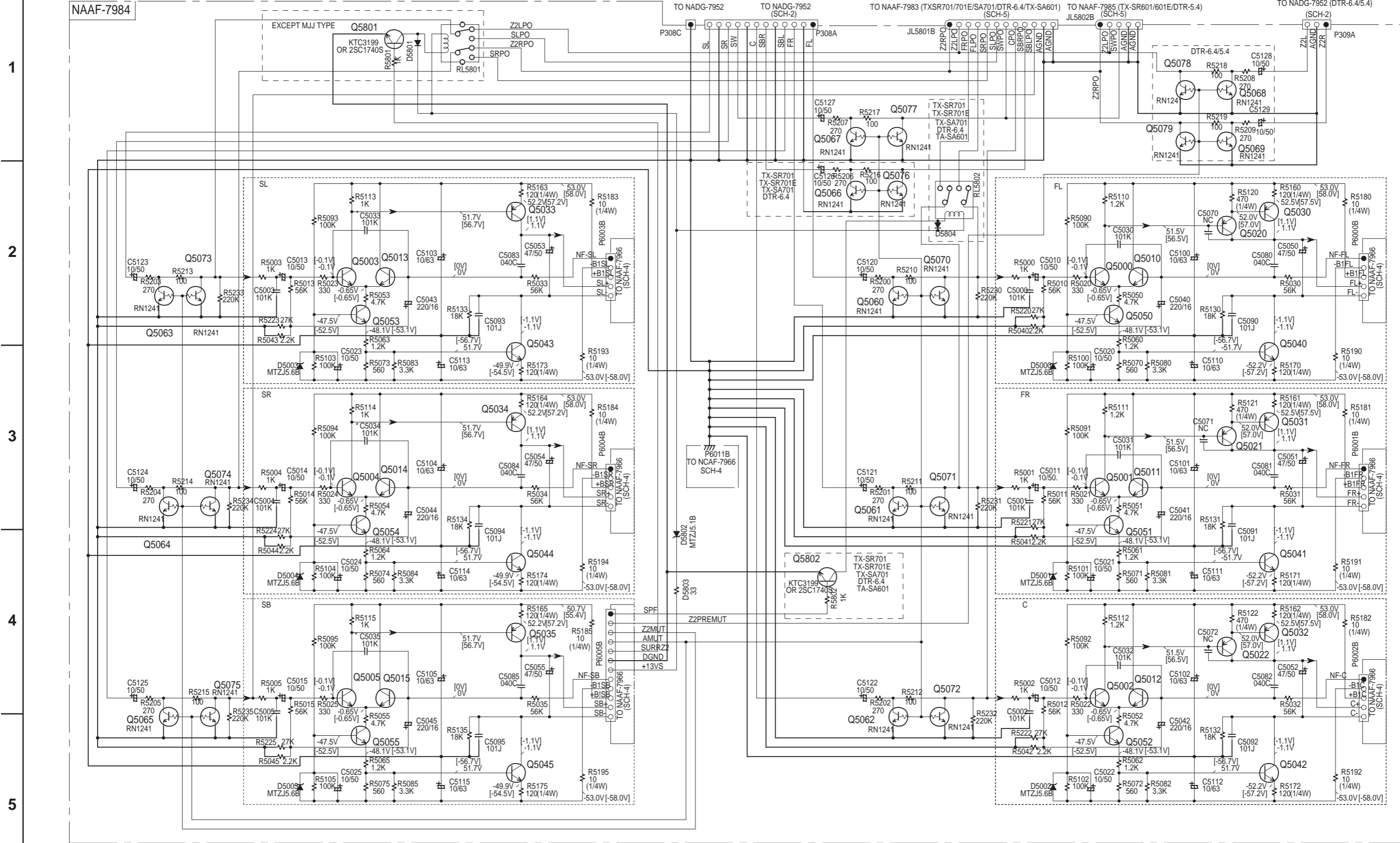
**SCHEMATIC DIAGRAM 2**  
Digital section

1  
2  
3  
4  
5



CIRCUIT NO.	DDDC	OTHER
C824-C826	47J	NONE
C837-C842	68J	101J
R855-R861	470	680
R872-R877	4.7K	10K

### SCHEMATIC DIAGRAM 3 Driver circuit section



CAPACITOR

	MDD,MDC,MJJ	OTHER DISTINATION
C5030-5035	NONE	YES

SEMICONDUCTORS

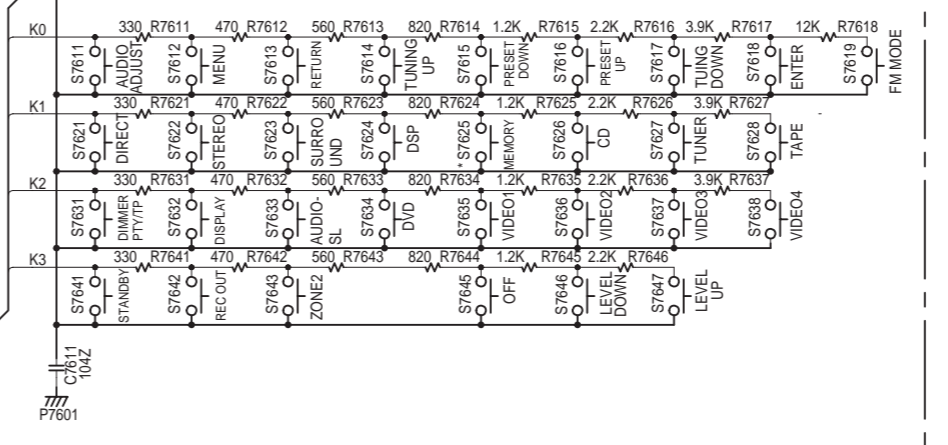
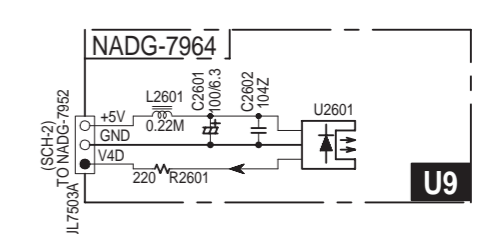
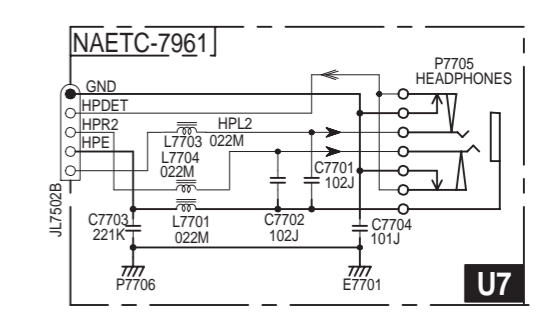
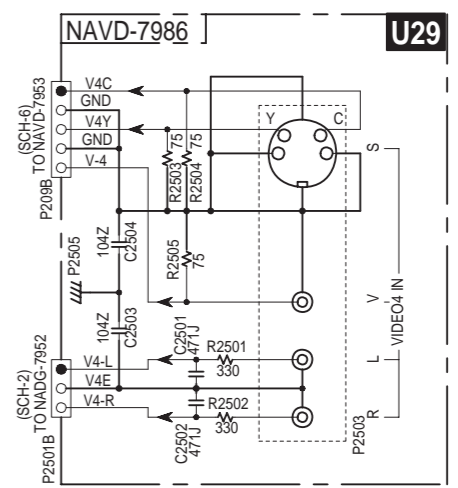
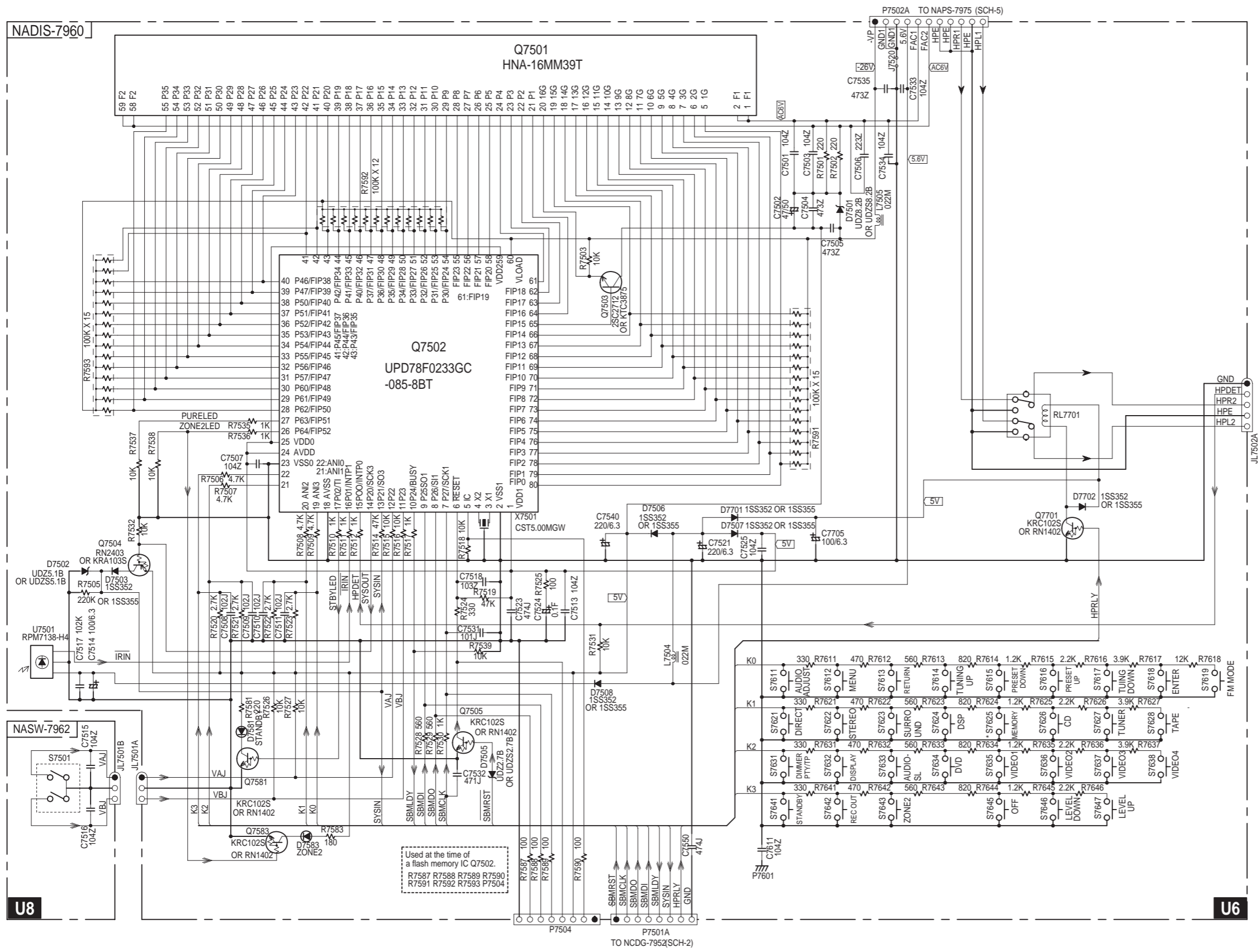
NO.	L / R / C	SL / SR / SB
Q5000-04,5010-14	2SC1775A-E,F OR 2SC1845-E	KTC3200-BL OR 2SC1775A-E,F OR 2SC1845-E,F
Q5020-25	2SA992-E,F	
Q5030-35	2SA1360-Y,O	KTA1024-Y,O OR 2SA949-Y,O
Q5040-45	2SC3423-Y,O	KTC3206-Y,O OR 2SC2229-Y,O

[VALUES ARE FOR TX-SR701/SA701/DTR-6.4]

# SCHEMATIC DIAGRAM 1

## Front panel section

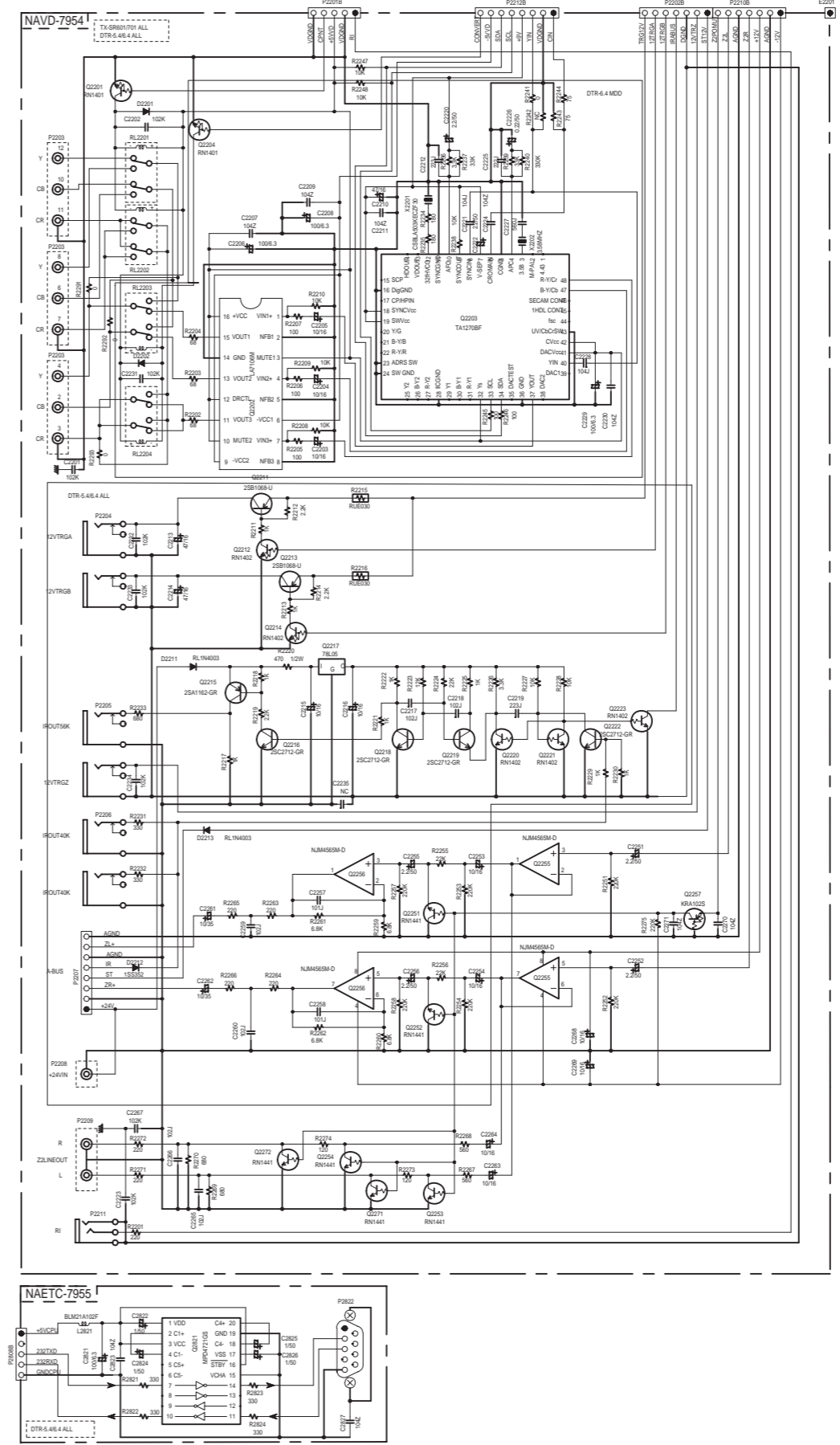
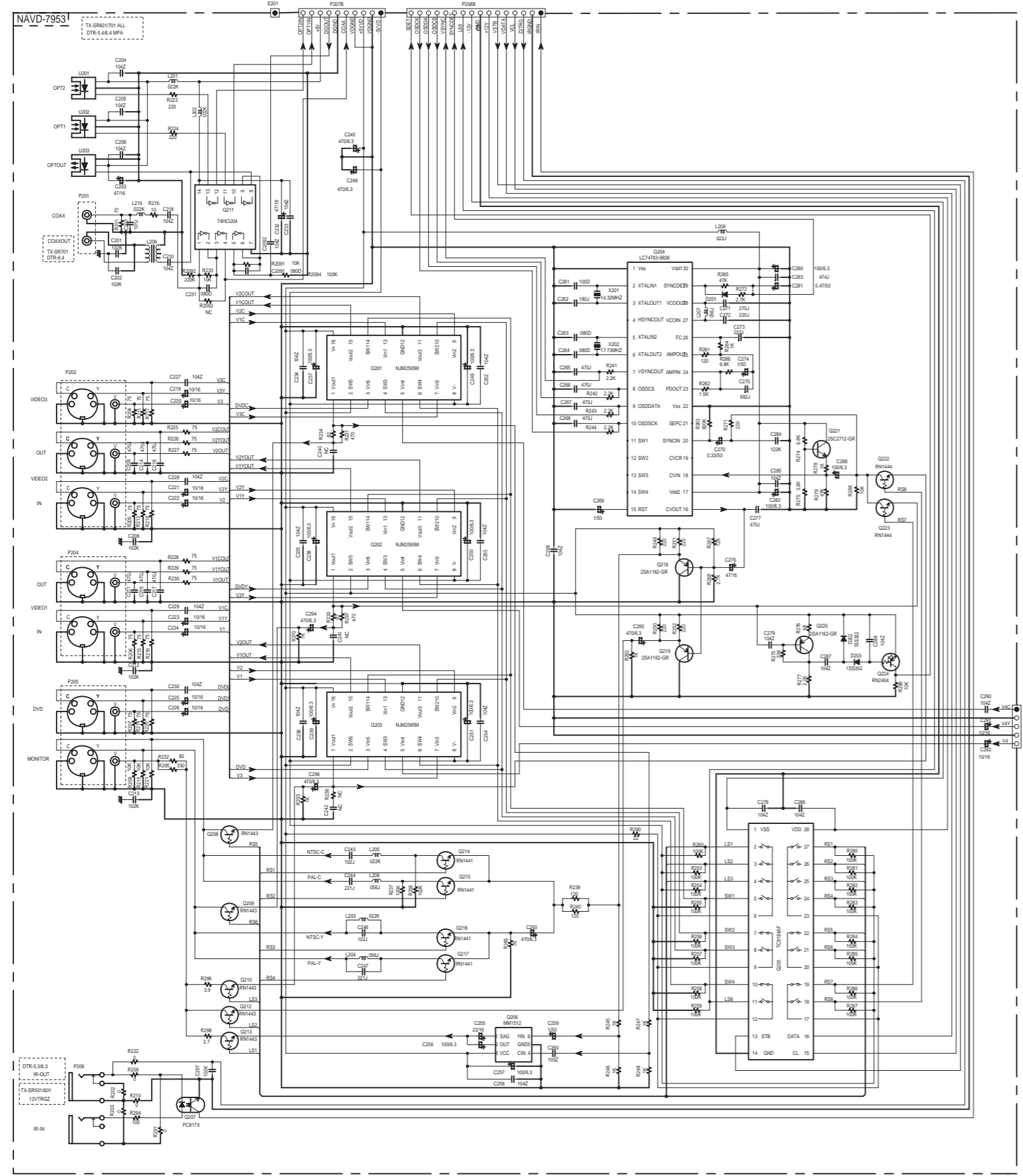
1  
2  
3  
4  
5



A B C D E F G H

# SCHEMATIC DIAGRAM 6 Video and bus line sections

1  
2  
3  
4  
5



REF.NO.	PART NO.	DESCRIPTION
1	27111271B	Front bracket <B>
1	27111272B	Front bracket <S>
1	27111273B	Front bracket <G>
2	27212487	Front panel <B> <D/A>
2	27212488	Front panel <B> <T>
2	27212489	Front panel <B> <P>
2	27212490	Front panel <S> <P>
2	27212492	Front panel <G>
2	27212504	Front panel <S> <A>
3	28198778	Facet
4	838130088	3TTB+8B,Self-tapping screw
5	28135244	Badge <B>
5	28135245	Badge <B/S>
6	838430088	3TTB+8B(BC),Self-tapping screw
7	28325907	Knob, volume <B> <D>
7	28326010	Knob, volume <B> <P/T/A>
7	28326012	Knob, volume <G>
7	28326011	Knob, volume <S>
8	27123094A	Rear panel <D>
8	27123095A	Rear panel <P>
8	27123096A	Rear panel <T/Q>
8	27123097A	Rear panel <R>
8	27123098A	Rear panel <K>
8	27123099A	Rear panel <A>
10	82143010	3P+10FN(BC),Pan head screw
11	27191130	Holder, outlet <R>
12	28325497A	Knob, power <B>
12	28325499A	Knob, power <G>
12	28325547A	Knob, power <S>
15	27141881	Retainer RT <D>
16	28191957	Clear plate <B>
16	28191958	Clear plate <G/S>
21	27100418B	Chassis
22	27190693A	KGLS-6RT,Holder
23	27190266	KGLS-12RT,Holder
24	27190657	KGLS-18RT,Holder
27	27300750	! Bushing, cord
31	27160530-1	Heat sink
32	801606	3SMH10W.SW+15B(CU),Special screw
33	830440089	4TTC+8C(BC),Self-tapping screw
36	838430068	3TTB+6B(BC), Self-tapping screw
37	801606	3SMH10W.SW+15B(CU), Special screw
38	29363408-1	Label, transformer
41	28184835	Top cover <B>
41	28184863	Top cover <G/S>
42	838430088	3TTB+8B(BC),Self-tapping screw <B>
42	838930088	3TTB+8B(UN),Self-tapping screw <G/S>
46	27175319B	Leg
47	28141494	Cushion
51	260208	Wire tie
71	29092052	Pad



72	29100153	1020x720,Polybag
73	29110149	Sello tape
74	29110148	PP tape
75	29100097-1A	350*250,Polybag
76	29054031	Carton box <D>
76	29054032	Carton box <B> <A/T/C>
76	29054033	Carton box <B> <P>
76	29054034	Carton box <S> <A>
76	29054035	Carton box <S> <P>
76	29054036	Carton box <G>
77	29363381	Label EAN <B> <P>
77	29363382	Label EAN <S> <P>
77	29363383	Label EAN <B> <A/T>
77	29363384	Label EAN <S> <A>
77	29363385	Label EAN <G>
77	29363386	Label UPC <D>
81	29363059A	Label, cable
83	29343493	Instruction manual, English
84	29343495	Instruction manual, French/Spanish <P>
84	29343497	Instruction manual Ct/Cs <T/R/Q>
85	29343496	Instruction manual U4 <P>
86	29343494	Instruction manual, digest <D>
87	24140515	RC-515M,Remote controller
88	3010194	R6/AA(UM-3), Two batteries
89	232140	NMA-3057,AM loop antenna
90	292191	FM antenna
91	25056005	CV-K-1, Conversion plug <T>
92	25065462	YAE21-0237,Antenna adapter <T/A/K/Q/R>
93	29365090A	Warranty card <D>
94	29363194	Label <D>
95	29363420	Label POP <D/C>
F6901,F690	252196 or	! 12A-UL/T-314 or
F6901,F690	252301	! 12A-TUL-250V, Fuse <D>
F6901,F690	252100 or	! 10A-EAK or
F6901,F690	252307	! 10A-TL250V, Fuse <O>
F901	252199	! 10A-UL, Fuse <D/T/Q/R>
F902	252078,	! 5A-SE-EAK,
F902	252244 or	! 5A-SE-TL250V or
F902	252278	! 5A-SE-TL250V, Fuse <O>
F903	252164 or	! 5A-UL/T-237 or
F903	252258	! 5A-T/UL-ST2,Fuse <D>
F903	252075,	! 2.5A-SE-EAK,
F903	252241 or	! 2.5A-SE-TL250V or
F903	252275	! 2.5A-SE-TL250V <O>
F9501	252160 or	! 2.5A-UL/T-237 or
F9501	252254	! 2.5A-T/UL-ST2,Fuse <D>
F9501	252075,	! 2.5A-SE-EAK,
F9501	252241 or	! 2.5A-SE-TL250V or
F9501	252275	! 2.5A-SE-TL250V, Fuse <O>
P101	2047152522	NCFC7-152522,Flexible cable
P6931	2045133012	NCFC5-133012,Flexible cable
P7501	2045081512	NCFC5-081512,Flexible cable

P7502	2047111512	NCFC7-111512,Flexible cable
P901	253197HIT	! AS-SAA or
P901	253198HIT	! AS-BS, Power supply cord <Q>
P901	253233KAW	! AS-CEE-2 or
P901	253306VOL	! AS-CEE-2,Power supply cord <P/T/K>
P901	253307VOL	! AS-SAA, Power supply cord <A>
P901	253332HIT or	! AS-UC-2 or
P901	253333VOL	! AS-UC-2,Power supply cord <D>
P901	253355VOL	! AS-CCC, Power supply cord <R>
P902A	25052665	! NSCT-2P2561,AC outlet <K>
Q6050~Q60	2202843	* 2SC5242-O or
Q6050~Q60	2202842	* 2SC5242-R,Transistor
Q6053~Q60	2203663,	* MN130S-O,
Q6053~Q60	2203664,	* MN130S-Y,
Q6053~Q60	2203666,	* MN130S-P,
Q6053~Q60	2202843 or	* 2SC5242-O or
Q6053~Q60	2202842	* 2SC5242-R,Transistor
Q6060~Q60	2202833 or	* 2SA1962-O or
Q6060~Q60	2202832	* 2SA1962-R
Q6063~Q60	2203673,	* MP130S-O,
Q6063~Q60	2203674,	* MP130S-Y,
Q6063~Q60	2203676,	* MP130S-P,
Q6063~Q60	2202833 or	* 2SA1962-O or
Q6063~Q60	2202832	* 2SA1962-R
T901	2301692	! NPT-1469D,Power transformer <D>
T901	2301692	! NPT-1469D,Power transformer <D>
T901	2301693	! NPT-1469P,Power transformer <P/A>
T901	2301694	! NPT-1469DG,Power transformer <T/Q/R/K>
U1	1A972552-1L	NADG-7952-1L,DSP circuit PC board ass'y <D>
U1	1A972552-1M	NADG-7952-1M,DSP circuit PC board ass'y <P>
U1	1A972552-1N	NADG-7952-1N,DSP circuit PC board ass'y
U1	1A972552-1P	NADG-7952-1P,DSP circuit PC board ass'y
U2	1A972553-1L	NAVD-7953-1L,Video circuit PC board ass'y <D>
U2	1A972553-1M	NAVD-7953-1M,Video circuit PC board ass'y <P>
U2	1A972553-1N	NAVD-7953-1N,Video circuit PC board ass'y
U2	1A972553-1P	NAVD-7953-1P,Video circuit PC board ass'y
U3	1A972554-1L	NAVD-7954-1L,Component video PC board ass'y
U3	1A972554-1M	NAVD-7954-1M,Component video PC board ass'y
U3	1A972554-1N	NAVD-7954-1N,Component video PC board ass'y <A/K>
U3	1A972554-1P	NAVD-7954-1P,Component video PC board ass'y <T/R/Q>
U6	1A972560-1L	NADIS-7960-1L,Display circuit PC board ass'y
U7	1A972561-1L	NAETC-7961-1L,Headphone terminal PC board
U8	1A972562-1L	NAETC-7962-1L,Volume PC board ass'y
U9	1A972564-1L	NADG-7964-1L,Front opto. Input PC board ass'y
U10	1A972565-1L	NAETC-7965-1L,PC board for holder
U11	1A972566-1L	NAAF-7966-1L,Power amplifier PC board ass'y
U11	1A972566-1M	NAAF-7966-1M,Power amplifier PC board ass'y
U12	1A972567-1L	NAETC-7967-1L,Thermal detector PC board
U12	1A972567-1M	NAETC-7967-1M,Thermal detector PC board ass'y <O>
U13	1A972568-1L	NAAF-7968-1L,Speaker terminal PC board ass'y

U13	1A972568-1M	NAAF-7968-1M,Speaker terminal PC board ass'y
U14	1A972569-1L	NAETC-7969-1L,PC board for holder <D>
U14	1A972569-1M	NAETC-7969-1M,PC board for holder <O>
U15	1A972570-1L	NAETC-7970-1L,Secondary terminal PC board ass'y <D>
U15	1A972570-1M	NAETC-7970-1M,Secondary terminal PC board ass'y <O>
U16	1A972571-1L	NAETC-7971-1L,PC board for cord Clamper <D>
U16	1A972571-1M	NAETC-7971-1M,PC board for cord Clamper <O>
U17	1A972572-1L	NAETC-7972-1L, PC board for cord stopper <D>
U17	1A972572-1M	NAETC-7972-1M, PC board for cord stopper <O>
U18	1A972573-1L	NAETC-7973-1L,Thermal detector PC board
U18	1A972573-1M	NAETC-7973-1M,Thermal detector PC board ass'y <O>
U21	1A972574-1L	NAPS-7974-1L,Primary circuit PC board ass'y
U21	1A972574-1M	NAPS-7974-1M,Primary circuit PC board ass'y
U21	1A972574-1N	NAPS-7974-1N,Primary circuit PC board ass'y
U21	1A972574-1P	NAPS-7974-1P,Primary circuit PC board ass'y
U21	1A972574-1Q	NAPS-7974-1Q,Primary circuit PC board ass'y
U21	1A972574-1R	NAPS-7974-1R,Primary circuit PC board ass'y
U22	1A972575-1L	NAPS-7975-1L, Constant voltage circuit PC board ass'y <D>
U22	1A972575-1M	NAPS-7975-1M, Constant voltage circuit PC board ass'y <P>
U22	1A972575-1N	NAPS-7975-1N, Constant voltage circuit PC board ass'y <A>
U22	1A972575-1P	NAPS-7975-1P, Constant voltage circuit PC board ass'y <T/Q>
U22	1A972575-1Q	NAPS-7975-1Q, Constant voltage circuit PC board ass'y <R>
U22	1A972575-1R	NAPS-7975-1R, Constant voltage circuit PC board ass'y <K>
U23	1A972577-1L	NAETC-7977-1L,Primary terminal PC board ass'y
U23	1A972577-1M	NAETC-7977-1M,Primary terminal PC board
U23	1A972577-1N	NAETC-7977-1N,Primary terminal PC board ass'y
U23	1A972577-1P	NAETC-7977-1P,Primary terminal PC board ass'y <T/Q>
U23	1A972577-1Q	NAETC-7977-1Q,Primary terminal PC board ass'y
U23	1A972577-1R	NAETC-7977-1R,Primary terminal PC board ass'y
U24	1A972581-1L	NAETC-7981-1L, PC board for holder <D>
U24	1A972581-1M	NAETC-7981-1M, PC board for holder <P>
U24	1A972581-1N	NAETC-7981-1N, PC board for holder <A>
U24	1A972581-1P	NAETC-7981-1P, PC board for holder <T/Q>
U24	1A972581-1Q	NAETC-7981-1Q, PC board for holder <R>
U24	1A972581-1R	NAETC-7981-1R, PC board for holder <K>
U25	1A972582-1L	NAETC-7982-1L,Main connector PC board ass'y
U25	1A972582-1M	NAETC-7982-1M,Main connector PC board ass'y
U25	1A972582-1N	NAETC-7982-1N,Main connector PC board ass'y
U25	1A972582-1N	NAETC-7982-1N,Main connector PC board ass'y
U25	1A972582-1P	NAETC-7982-1P,Main connector PC board ass'y <T/Q>
U25	1A972582-1Q	NAETC-7982-1Q,Main connector PC board ass'y
U25	1A972582-1R	NAETC-7982-1R,Main connector PC board ass'y

U26	1A972583-1L	NAAF-7983-1L, Pre-output terminal PC board ass'y <D>
U26	1A972583-1M	NAAF-7983-1M, Pre-output terminal PC board ass'y <P>
U26	1A972583-1N	NAAF-7983-1N, Pre-output terminal PC board ass'y <A>
U26	1A972583-1P	NAAF-7983-1P, Pre-output terminal PC board ass'y <T/Q>
U26	1A972583-1Q	NAAF-7983-1Q, Pre-output terminal PC board ass'y <R>
U26	1A972583-1R	NAAF-7983-1R, Pre-output terminal PC board ass'y <K>
U27	1A972584-1L	NAAF-7984-1L, Driver circuit PC board ass'y <D>
U27	1A972584-1M	NAAF-7984-1M, Driver circuit PC board ass'y <P>
U27	1A972584-1N	NAAF-7984-1N, Driver circuit PC board ass'y <A>
U27	1A972584-1P	NAAF-7984-1P, Driver circuit PC board ass'y
U27	1A972584-1Q	NAAF-7984-1Q, Driver circuit PC board ass'y <R>
U27	1A972584-1R	NAAF-7984-1R, Driver circuit PC board ass'y <K>
U29	1A972586-1L	NAVD-7986-1L, Front video terminal PC board ass'y <D>
U29	1A972586-1M	NAVD-7986-1M, Front video terminal PC board ass'y <P>
U29	1A972586-1N	NAVD-7986-1N, Front video terminal PC board ass'y <A>
U29	1A972586-1P	NAVD-7986-1P, Front video terminal PC board ass'y <T/Q>
U29	1A972586-1Q	NAVD-7986-1Q, Front video terminal PC board ass'y <R>
U29	1A972586-1R	NAVD-7986-1R, Front video terminal PC board ass'y <K>
U30	1A972587-1L	NASW-7987-1L, Power switch PC board ass'y
U30	1A972587-1M	NASW-7987-1M, Power switch PC board ass'y
U30	1A972587-1N	NASW-7987-1N, Power switch PC board ass'y
U30	1A972587-1P	NASW-7987-1P, Power switch PC board ass'y
U30	1A972587-1Q	NASW-7987-1Q, Power switch PC board ass'y
U30	1A972587-1R	NASW-7987-1R, Power switch PC board ass'y
U36	240138A,	ENG06501QR,
U36	240134A or	TFCE1U114B or
U36	240146	FAE385-A02F, Tuner unit <D>
U36	240139A,	ENG07501QR,
U36	240135 or	TFCE1E512A or
U36	240147	FAE485-E02F, Tuner unit <O>